

# DD100880 Series



Eddy Current Driver Compatible with 25 mm Proximity Probe Systems,  
Voltage Output

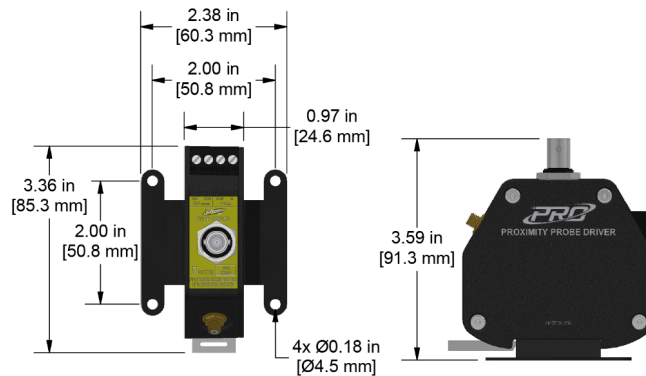


## Product Features

PRO Line Proximity Drivers pair with PRO Line Proximity Probes to offer configurable machinery protection with high quality components and industry best lead time

API Standard 670 specified format

- ▶ Isolated voltage output standard at BNC and terminal block Vout and Com
- ▶ Upgraded to include SecureLock Connector
- ▶ For use with PRO Proximity Probes only



## Specifications

|                          |                                 |
|--------------------------|---------------------------------|
| Temperature Range        | -49 to 185 °F (-45 to 85 °C)    |
| Enclosure                | Aluminum                        |
| Probe Connector          | SecureLock                      |
| Power & Output Connector | 4 Position Terminal Block & BNC |
| Input Voltage            | -17.5 to -30 VDC                |
| Linear Range             | 25-525 mils (0.6 - 13.3 mm)     |
| Nominal Voltage Output   | -20 mV/mil (-0.787 V/mm)        |

**Built to Order**